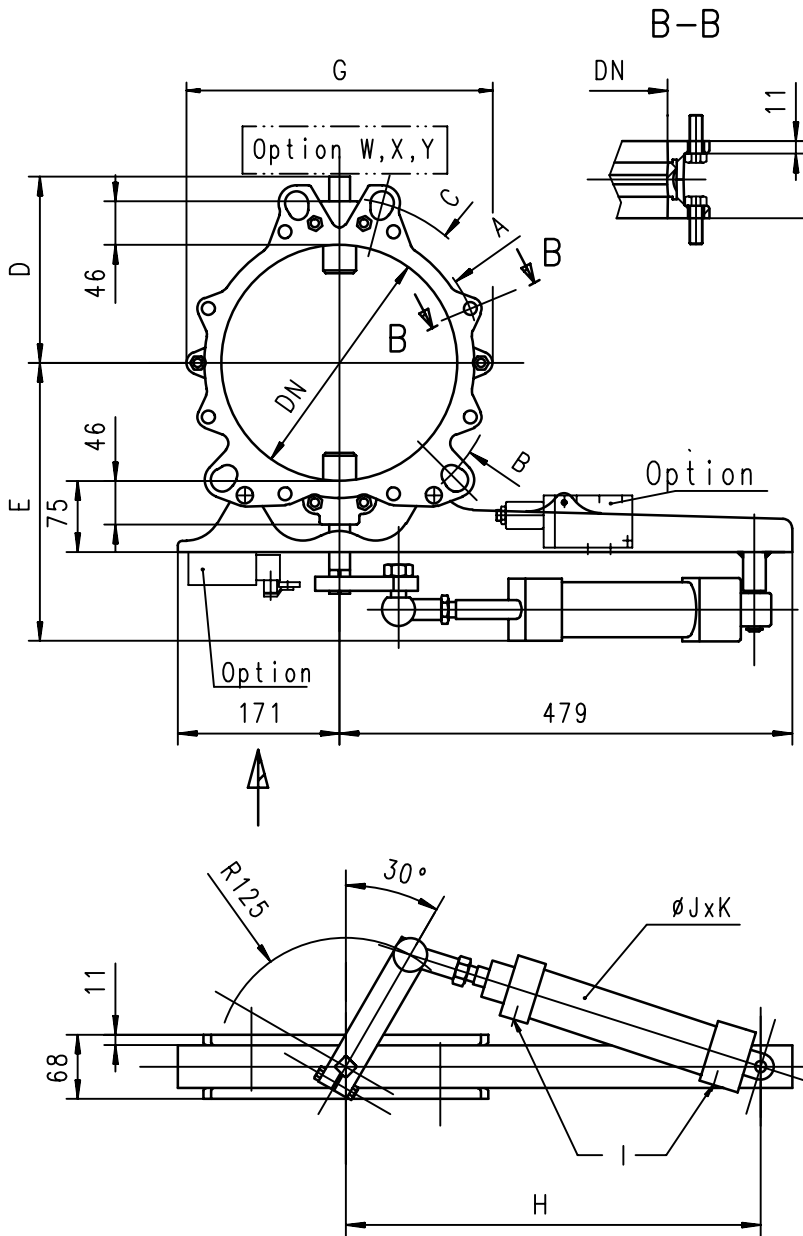
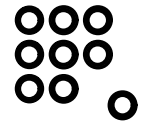


Maße JAUDT-Vario-Klappe

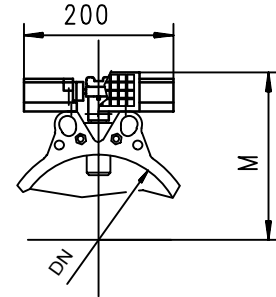
Dimensions Butterfly valve type vario

Dimension Clapet rotativ type vario

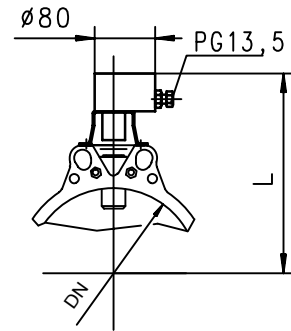
Pneumatik Zylinder - pneum. cylinder - verin pneumatique



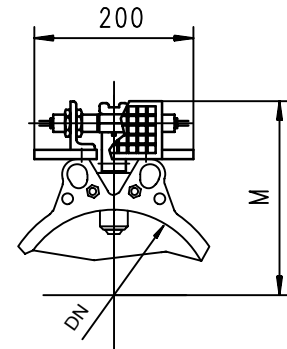
Option W



Option X



Option Y



Änderungen vorbehalten

| DN | A PN 6 | B PN 10 | C | D | E | G | H | I | JxK | L | M | kg |
|-----|-------------|-------------|------------|-----|-----|-----|-----|-------|---------|-----|-----|------|
| 100 | ∅170/4x∅18 | ∅180/8x∅18 | ∅180/4x∅14 | 112 | 219 | 152 | 439 | G1/4" | ∅50x160 | 208 | 183 | 8,5 |
| 150 | ∅225/8x∅18 | ∅240/8x∅22 | ∅200/4x∅14 | 147 | 244 | 224 | 439 | G1/4" | ∅50x160 | 233 | 208 | 9,8 |
| 200 | ∅280/8x∅18 | ∅295/8x∅22 | ∅250/4x∅14 | 172 | 269 | 274 | 439 | G1/4" | ∅50x160 | 258 | 233 | 11,4 |
| 250 | ∅335/12x∅18 | ∅350/12x∅22 | ∅300/8x∅14 | 197 | 294 | 324 | 439 | G1/4" | ∅50x160 | 283 | 258 | 13,4 |
| 300 | ∅395/12x∅22 | ∅400/12x∅22 | ∅350/8x∅14 | 222 | 326 | 374 | 459 | G3/8" | ∅63x160 | 307 | 282 | 16,8 |
| 350 | ∅445/12x∅22 | ∅460/16x∅22 | ∅400/8x∅14 | 249 | 351 | 424 | 459 | G3/8" | ∅63x160 | 340 | 315 | 19,4 |